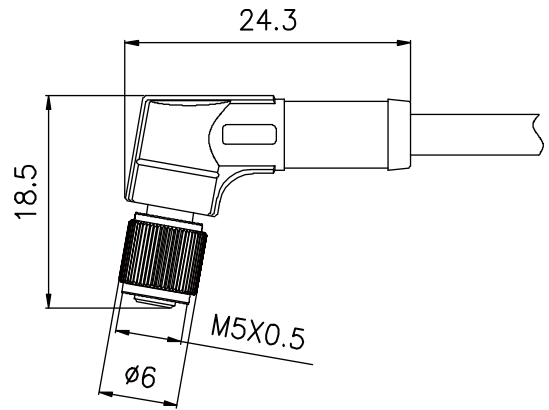


M5 female angled overmold socket connector

M5



Technical parameters

Shell material	Copper/Zinc
Core material	PA66
Overmold material	PVC/TPU [®]
Terminal material	Phosphor copper
Temperature	-20°C~+80°C

Insulation resistance	≥100mΩ
Contact resistance	≤3mΩ
Degree of protection	IP67
Mating cycle	≥500次
Cable diameter	

Electric parameter

pin number	code type	rated current	rated voltage		cable size		cable material [®]	dealing at the end cable
	A		A/C	D/C	AWG	mm ²		
3		1A	60V	60V	26	0.14	PVC/PUR	- no dealing - customized
4		1A	60V	60V	26	0.14	PVC/PUR	- strip and tinn - to other connector

Order method

<p>Ⓐ Regular type</p> <p>M5-<input type="text"/>D-<input type="text"/>-S-<input type="text"/>-<input type="text"/>-<input type="text"/>-<input type="text"/></p> <p>pin number code type (except A type) overmold material cable material[®] cable length others</p>	<p>Ⓑ Customized</p> <p>M5-<input type="text"/>D-<input type="text"/>-S-<input type="text"/>-<input type="text"/></p> <p>pin number code type (except A type) customized item number others</p>
---	--