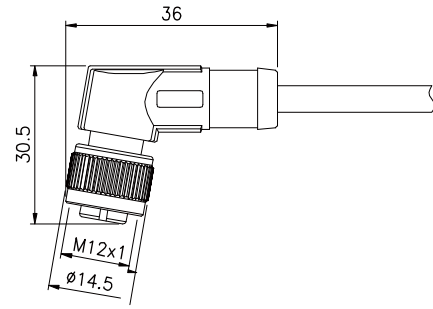


M12 female angled overmold socket connector



Technical parameters

Shell material	Copper/Zinc
Core material	PA66
Overmold material	PVC/TPU [®]
Terminal material	Phosphor copper
Temperature	-40°C~+80°C

Insulation resistance	≥100mΩ
Contact resistance	≤10mΩ
Degree of protection	IP67/IP68
Mating cycle	≥500次
Cable diameter	

M 1 2

Electric parameter

pin number	code type				rated current	rated voltage		cable size		cable material	dealing at the end cable
	A	B	C	D		A/C	D/C	AWG	mm ²		
2					4A	250V	250V	22	0.34	PVC/PUR	
3					4A	250V	250V	22	0.34	PVC/PUR	
4					4A	250V	250V	22	0.34	PVC/PUR	
5					4A	60V	60V	22	0.34	PVC/PUR	- no dealing - customized
6					2A	30V	30V	24	0.25	PVC/PUR	- strip and tinn - to other connector
8					2A	30V	30V	24	0.25	PVC/PUR	
12					1.5A	30V	30V	26	0.14	PVC/PUR	
17					1.5A	30V	30V	26	0.14	PVC/PUR	

Order method

<p>Ⓐ Regular type</p> <p>M12-<input type="text"/>-D-<input type="text"/>-S-<input type="text"/>-<input type="text"/>-<input type="text"/></p> <p>pin number code type (except A type) cable length others</p> <p> cable material[®]</p>	<p>Ⓑ Customized</p> <p>M12-<input type="text"/>-D-<input type="text"/>-S-<input type="text"/>-<input type="text"/></p> <p>pin number customized item number others</p> <p> code type (except A type)</p>
---	--