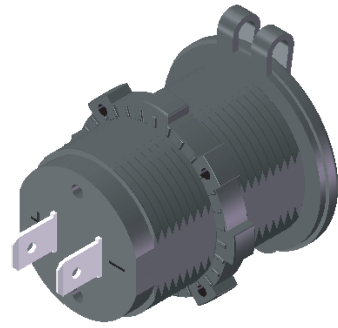
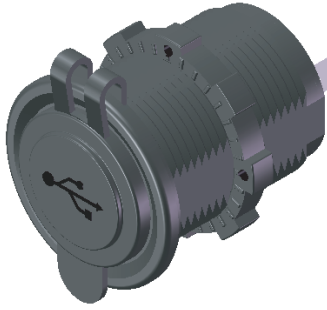
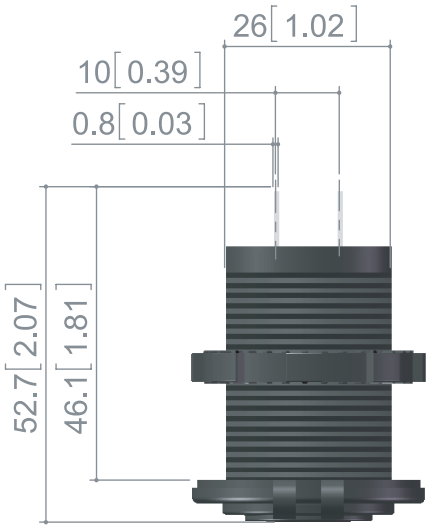
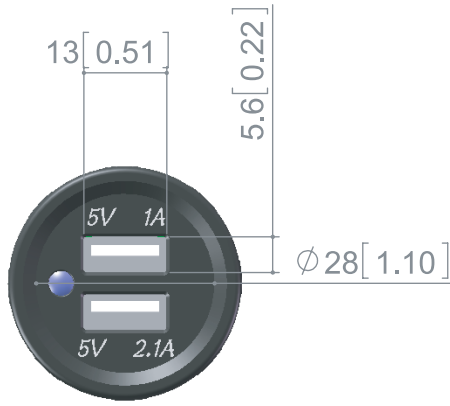
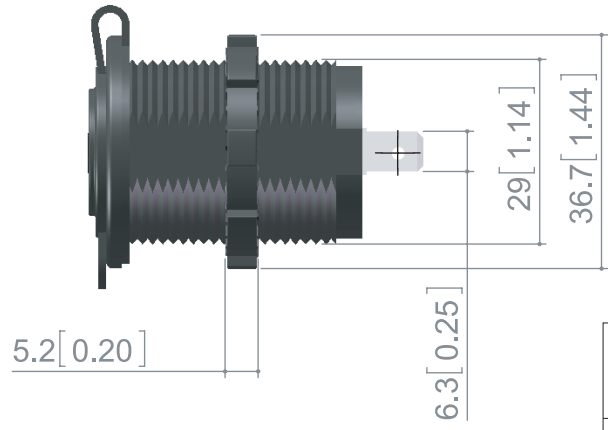
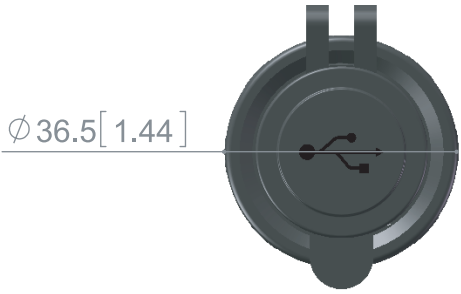



REV	DESCRIPTION	DATE
A	Initial Release	19.07.01



Input 6V~30V DC
 Output 5V±5% 3.1A DC
 2 Port USB Socket×1
 Standard Nut×1
 USB Cover×1



 PANSTRONG COMPANY LTD.				DRAWN BY		TOMMY	
				CHECKED			
TITLE:		USB CHARGER				APPROVED	
PART NO:		CUBAFX2-K-2013				DRAWING NO.	
SCALE		/	REV	A	UNIT	mm	