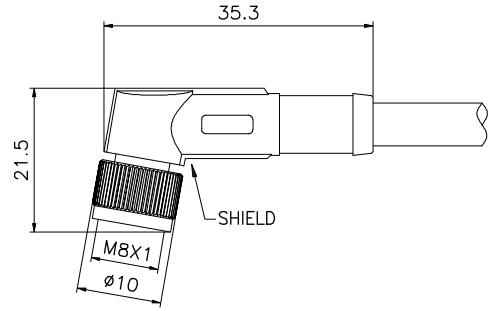


M8 female angled overmold socket connector(shield)

M 8



Technical parameters

Shell material	Copper/Zinc
Core material	PA66
Overmold material	PVC/TPU [®]
Terminal material	Phosphor copper
Temperature	-20°C~+80°C

Insulation resistance	≥100mΩ
Contact resistance	≤5mΩ
Degree of protection	IP67/IP68
Mating cycle	≥500次
Cable diameter	

Electric parameter

pin number	code type		rated current	rated voltage		cable size		cable material [®]	dealing at the end cable
	A	B		A/C	D/C	AWG	mm ²		
3			3A	60V	60V	24	0.25	PVC/PUR	- no dealing - customized - strip and tinn - to other connector
4			3A	30V	30V	24	0.25	PVC/PUR	
5			3A	30V	30V	24	0.25	PVC/PUR	
6			1A	30V	30V	26	0.14	PVC/PUR	
8			1A	30V	30V	26	0.14	PVC/PUR	

Order method

<p>Ⓐ Regular type</p> <p>M8 - <input type="text"/> D1 <input type="text"/> - S - <input type="text"/> - <input type="text"/> - <input type="text"/> - <input type="text"/></p> <p>pin number code type (except A type) overmold material cable material[®] cable length others</p>	<p>Ⓑ Customomized</p> <p>M8 - <input type="text"/> D1 <input type="text"/> - S - <input type="text"/> - <input type="text"/></p> <p>pin number code type (except A type) customized item number others</p>
---	--