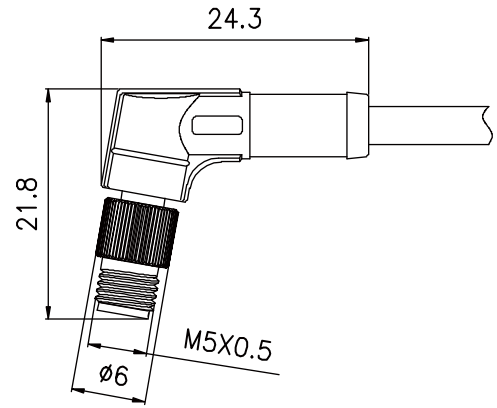


# M5 male angled overmold plug connector

M5



## Technical parameters

|                   |                      |
|-------------------|----------------------|
| Shell material    | Copper/Zinc          |
| Core material     | PA66                 |
| Overmold material | PVC/TPU <sup>®</sup> |
| Terminal material | Phosphor copper      |
| Temperature       | -20°C~+80°C          |

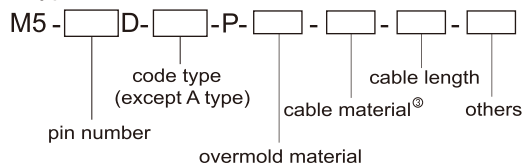
|                       |        |
|-----------------------|--------|
| Insulation resistance | ≥100mΩ |
| Contact resistance    | ≤3mΩ   |
| Degree of protection  | IP67   |
| Mating cycle          | ≥500次  |
| Cable diameter        |        |

## Electric parameter

| pin number | code type<br>A | rated current | rated voltage |     | cable size |                 | cable material <sup>®</sup> | dealing at the end cable   |
|------------|----------------|---------------|---------------|-----|------------|-----------------|-----------------------------|--|
|            |                |               | A/C           | D/C | AWG        | mm <sup>2</sup> |                             |  |
| 3          |                | 1A            | 60V           | 60V | 26         | 0.14            | PVC/PUR                     | - no dealing<br>- customized<br>- strip and tinn<br>- to other connector |
| 4          |                | 1A            | 60V           | 60V | 26         | 0.14            | PVC/PUR                     |  |

## Order method

### Ⓐ Regular type



### Ⓑ Customized

