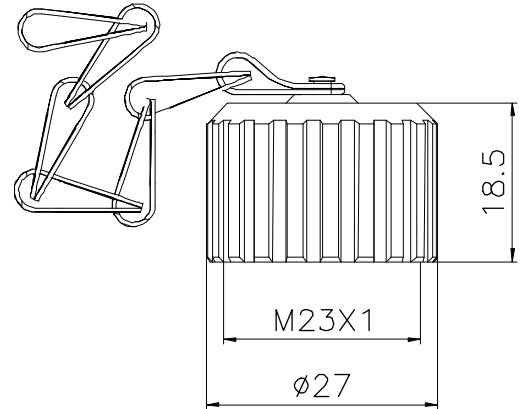
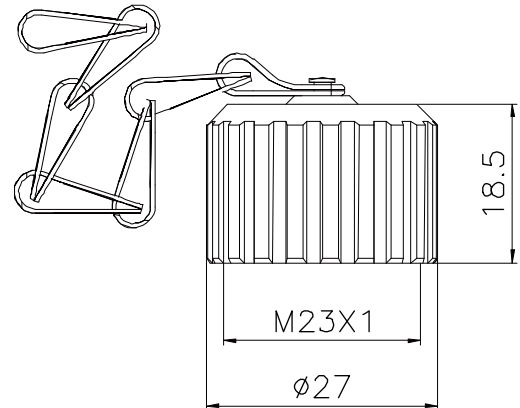


623 dust cap



923 dust cap

M 23



Electric parameter

Shell material	Copper/Zinc
Core material	PBT/PA66
Overmold material	PVC/TPU [®]
Terminal material	Phosphor copper
Temperature	-40°C~+125°C

Insulation resistance	≥100mΩ
Contact resistance	≤5mΩ
Degree of protection	IP67
Mating cycle	≥500次
Cable diameter	

Order method

Ⓐ Regular type
623-L

Ⓑ Customized
923-L