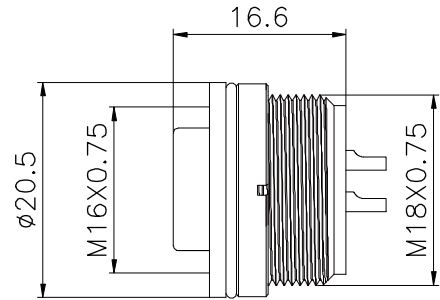


M16 female back mount socket connector



Technical parameters

Shell material	Copper/Zinc
Core material	PA66
Overmold material	PVC/TPU [®]
Terminal material	Phosphor copper
Temperature	-20°C~+80°C

Insulation resistance	≥100mΩ
Contact resistance	≤5mΩ
Degree of protection	IP67/IP68
Mating cycle	≥500次
Cable diameter	

M 16

Electric parameter

pin number	code type A	rated current	rated voltage		cable size		cable material	dealing at the end cable
			A/C	D/C	AWG	mm ²		
2		7A	250V	250V	20	0.75	PVC/PUR	- no dealing - customized - strip and tinn - to other connector
3		7A	250V	250V	20	0.75	PVC/PUR	
4		6A	250V	250V	20	0.75	PVC/PUR	
5		6A	250V	250V	20	0.75	PVC/PUR	
6		5A	250V	250V	20	0.75	PVC/PUR	
7		5A	125V	125V	20	0.75	PVC/PUR	
8		5A	125V	125V	20	0.75	PVC/PUR	
12		3A	60V	60V	24	0.25	PVC/PUR	
14		3A	60V	60V	24	0.25	PVC/PUR	
19		3A	60V	60V	24	0.25	PVC/PUR	
24		1A	60V	60V	26	0.14	PVC/PUR	

Order method

<p>Ⓐ Regular type</p> <p>M16-<input type="text"/>-F-<input type="text"/>-S-<input type="text"/>-<input type="text"/>-<input type="text"/>-<input type="text"/></p> <p>pin number code type (except A type) overmold material cable length others</p>	<p>Ⓑ Customized</p> <p>M16-<input type="text"/>-F-<input type="text"/>-S-<input type="text"/>-<input type="text"/></p> <p>pin number code type (except A type) customized item number others</p>
--	---