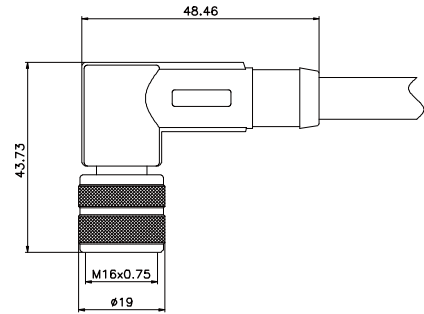


# M16 female angled overmold socket connector



## Technical parameters

Shell material	Copper/Zinc
Core material	PA66
Overmold material	PVC/TPU <sup>®</sup>
Terminal material	Phosphor copper
Temperature	-20°C~+80°C

Insulation resistance	≥100mΩ
Contact resistance	≤5mΩ
Degree of protection	IP67/IP68
Mating cycle	≥500次
Cable diameter	

M 16

## Electric parameter

pin number	code type	rated current	rated voltage		cable size		cable material	dealing at the end cable
	A		A/C	D/C	AWG	mm <sup>2</sup>		
2		7A	250V	250V	20	0.75	PVC/PUR	- no dealing - customized - strip and tinn - to other connector
3		7A	250V	250V	20	0.75	PVC/PUR	
4		6A	250V	250V	20	0.75	PVC/PUR	
5		6A	250V	250V	20	0.75	PVC/PUR	
6		5A	250V	250V	20	0.75	PVC/PUR	
7		5A	125V	125V	20	0.75	PVC/PUR	
8		5A	125V	125V	20	0.75	PVC/PUR	
12		3A	60V	60V	24	0.25	PVC/PUR	
14		3A	60V	60V	24	0.25	PVC/PUR	
19		3A	60V	60V	24	0.25	PVC/PUR	
24		1A	60V	60V	26	0.14	PVC/PUR	

## Order method

<p>Ⓐ Regular type</p> <p>M16-<input type="text"/>-D-<input type="text"/>-S-<input type="text"/>-<input type="text"/>-<input type="text"/>-<input type="text"/></p> <p>pin number      code type (except A type)      overmold material      cable length      others</p>	<p>Ⓑ Customized</p> <p>M16-<input type="text"/>-D-<input type="text"/>-S-<input type="text"/>-<input type="text"/></p> <p>pin number      code type (except A type)      customized item number      others</p>
--	---