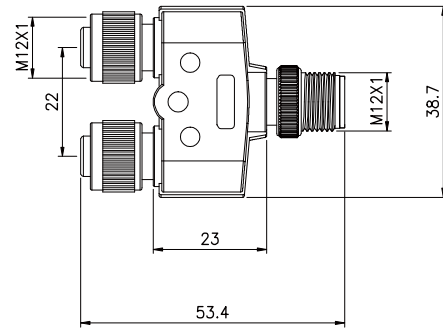


M12 Y type splitter connector



M 1 2

Technical parameters

| | |
|-------------------|----------------------|
| Shell material | Copper/Zinc |
| Core material | PA66 |
| Overmold material | PVC/TPU [®] |
| Terminal material | Phosphor copper |
| Temperature | -40°C~+80°C |

| | |
|-----------------------|-----------|
| Insulation resistance | ≥100mΩ |
| Contact resistance | ≤10mΩ |
| Degree of protection | IP67/IP68 |
| Mating cycle | ≥500次 |
| Cable diameter | |

Electric parameter

| pin number | code type | | | | rated current | rated voltage | | cable size | | cable material | dealing at the end cable |
|------------|-----------|---|---|---|---------------|---------------|------|------------|-----------------|----------------|--|
| | A | B | C | D | | A/C | D/C | AWG | mm ² | | |
| 2 | | | | | 4A | 250V | 250V | 22 | 0.34 | PVC/PUR | - no dealing - customized - strip and tinn - to other connector |
| 3 | | | | | 4A | 250V | 250V | 22 | 0.34 | PVC/PUR | |
| 4 | | | | | 4A | 250V | 250V | 22 | 0.34 | PVC/PUR | |
| 5 | | | | | 4A | 60V | 60V | 22 | 0.34 | PVC/PUR | |
| 6 | | | | | 2A | 30V | 30V | 24 | 0.25 | PVC/PUR | |
| 8 | | | | | 2A | 30V | 30V | 24 | 0.25 | PVC/PUR | |

Order method

| | |
|--|---|
| <p>Ⓐ Regular type</p> <p>M12P - <input type="text"/> - Y - <input type="text"/></p> <p style="margin-left: 100px;">pin number</p> <p style="margin-left: 150px;">code type (except A type)</p> | <p>Ⓑ Customized</p> <p>M12 - <input type="text"/> - Y - <input type="text"/> - <input type="text"/> - <input type="text"/></p> <p style="margin-left: 100px;">pin number</p> <p style="margin-left: 150px;">code type (except A type)</p> <p style="margin-left: 200px;">customized item number</p> <p style="margin-left: 250px;">others</p> |
|--|---|