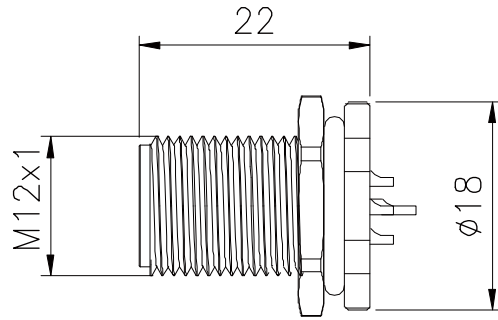


# M12 male back mount plug connector



M 1 2

## Technical parameters

Shell material	Copper/Zinc
Core material	PA66
Overmold material	PVC/TPU <sup>®</sup>
Terminal material	Phosphor copper
Temperature	-40°C~+80°C

Insulation resistance	≥100mΩ
Contact resistance	≤10mΩ
Degree of protection	IP67/IP68
Mating cycle	≥500次
Cable diameter	

## Electric parameter

pin number	code type				rated current	rated voltage		cable size		cable material	dealing at the end cable
	A	B	C	D		A/C	D/C	AWG	mm <sup>2</sup>		
2					4A	250V	250V	22	0.34	PVC/PUR	- no dealing - customized - strip and tinn - to other connector
3					4A	250V	250V	22	0.34	PVC/PUR	
4					4A	250V	250V	22	0.34	PVC/PUR	
5					4A	60V	60V	22	0.34	PVC/PUR	
6					2A	30V	30V	24	0.25	PVC/PUR	
8					2A	30V	30V	24	0.25	PVC/PUR	
12					1.5A	30V	30V	26	0.14	PVC/PUR	
17					1.5A	30V	30V	26	0.14	PVC/PUR	

## Order method

<p>Ⓐ Regular type</p> <p>M12-<input type="text"/>-F2-<input type="text"/>-P-<input type="text"/>-<input type="text"/>-<input type="text"/></p> <p>pin number   code type (except A type)   cable length   cable material<sup>®</sup>   others</p>	<p>Ⓑ Customized</p> <p>M12-<input type="text"/>-F2-<input type="text"/>-P-<input type="text"/>-<input type="text"/></p> <p>pin number   customized item number   code type (except A type)   others</p>
---	---