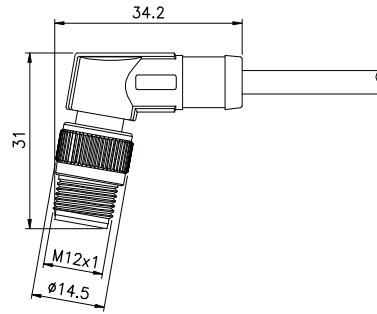


# M12 male angled overmold plug connector



## Technical parameters

|                   |                      |
|-------------------|----------------------|
| Shell material    | Copper/Zinc          |
| Core material     | PA66                 |
| Overmold material | PVC/TPU <sup>®</sup> |
| Terminal material | Phosphor copper      |
| Temperature       | -40°C~+80°C          |

|                       |           |
|-----------------------|-----------|
| Insulation resistance | ≥100mΩ    |
| Contact resistance    | ≤10mΩ     |
| Degree of protection  | IP67/IP68 |
| Mating cycle          | ≥500次     |
| Cable diameter        |           |

M 1 2

## Electric parameter

| pin number | code type |   |   |   | rated current | rated voltage |      | cable size |                 | cable material | dealing at the end cable                 |
|------------|-----------|---|---|---|---------------|---------------|------|------------|-----------------|----------------|--|
|            | A         | B | C | D |               | A/C           | D/C  | AWG        | mm <sup>2</sup> |                |  |
| 2          |           |   |   |   | 4A            | 250V          | 250V | 22         | 0.34            | PVC/PUR        |  |
| 3          |           |   |   |   | 4A            | 250V          | 250V | 22         | 0.34            | PVC/PUR        |  |
| 4          |           |   |   |   | 4A            | 250V          | 250V | 22         | 0.34            | PVC/PUR        |  |
| 5          |           |   |   |   | 4A            | 60V           | 60V  | 22         | 0.34            | PVC/PUR        | - no dealing<br>- customized             |
| 6          |           |   |   |   | 2A            | 30V           | 30V  | 24         | 0.25            | PVC/PUR        | - strip and tinn<br>- to other connector |
| 8          |           |   |   |   | 2A            | 30V           | 30V  | 24         | 0.25            | PVC/PUR        |  |
| 12         |           |   |   |   | 1.5A          | 30V           | 30V  | 26         | 0.14            | PVC/PUR        |  |
| 17         |           |   |   |   | 1.5A          | 30V           | 30V  | 26         | 0.14            | PVC/PUR        |  |

## Order method

|   |  |
|---|--|
| <p>Ⓐ Regular type</p> <p>M12-<input type="text"/>-D-<input type="text"/>-P-<input type="text"/>-<input type="text"/>-<input type="text"/></p> <p>pin number      code type (except A type)      cable length      others</p> <p>   cable material<sup>®</sup></p> | <p>Ⓑ Customized</p> <p>M12-<input type="text"/>-D-<input type="text"/>-P-<input type="text"/>-<input type="text"/></p> <p>pin number      customized item number      others</p> <p>   code type (except A type)</p> |
|---|--|