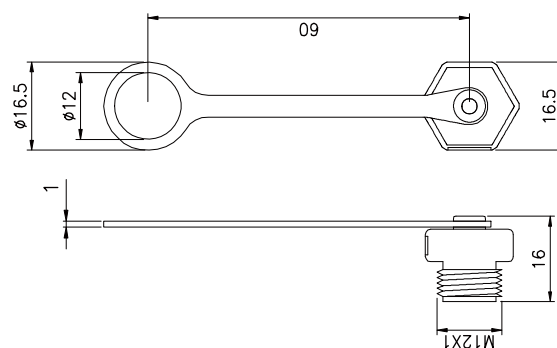


## M12 dust cap (external thread)



M 12

### ■ Technical parameters

Shell material	Copper/Zinc
Core material	PA66
Overmold material	PVC/TPU <sup>®</sup>
Terminal material	Phosphor copper
Temperature	-40°C~+80°C

Insulation resistance	≥100mΩ
Contact resistance	≤10mΩ
Degree of protection	IP67/IP68
Mating cycle	≥500次
Cable diameter	

### ■ Order method

external thread  
M12-L2