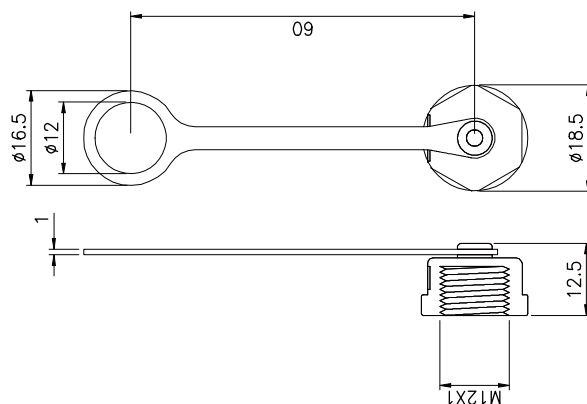


# M12 dust cap (internal thread)



M 12

## ■ Technical parameters

Shell material	Copper/Zinc
Core material	PA66
Overmold material	PVC/TPU <sup>®</sup>
Terminal material	Phosphor copper
Temperature	-40°C~+80°C

Insulation resistance	≥100mΩ
Contact resistance	≤10mΩ
Degree of protection	IP67/IP68
Mating cycle	≥500次
Cable diameter	

## ■ Order method

internal thread  
M12-L1