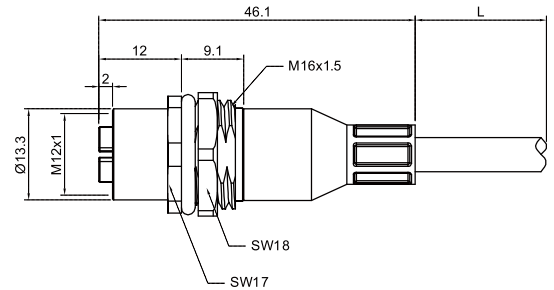


M12 female back mount socket connector(X code)



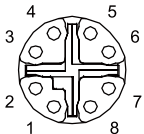
Technical parameters

Shell material	Copper/Zinc
Core material	PA66
Overmold material	FKM
Terminal material	Copper plating
Temperature	-20°C~+80°C

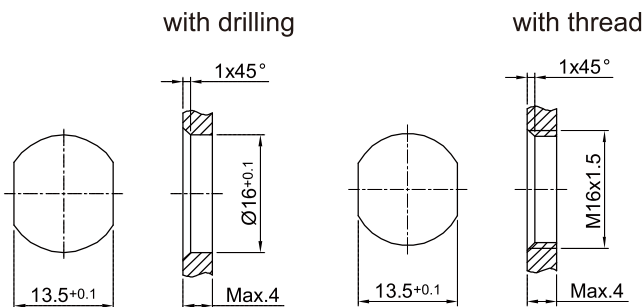
Insulation resistance	≥100mΩ
Contact resistance	≤ 5mΩ
Degree of protection	IP67/IP68
Implementation standard	IEC61076-2-109
Agreement	CAT6A Ethernet

M 1 2

Electric parameter

pin number	code type X	rated current	rated voltage		cable size		cable material	dealing at the end cable
			A/C	D/C	AWG	mm ²		
8		0.5A	50V	60V	26~24	0.14~0.25	PVC/PUR	connected to M12 X code connected to RJ45 connector connected to others connector no dealing

Hole size



Order method

<p>Ⓐ Regular type</p> <p>M12-8F-X-S-<input type="text"/> / <input type="text"/> - <input type="text"/> - <input type="text"/></p> <p style="text-align: center;"> <input type="text"/> cable material[Ⓞ] <input type="text"/> overmold material <input type="text"/> cable length <input type="text"/> others </p>	<p>Ⓑ Customized</p> <p>M12-8F-X-S-<input type="text"/> <input type="text"/></p> <p style="text-align: center;"> <input type="text"/> customized item number <input type="text"/> others </p>
--	---

Noted

X code is for 10 Gigabit ethernet, it meets CAT6 and Ethernet standard