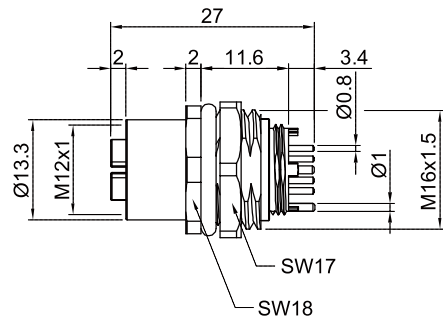


M12 female front mount PCB socket connector (X code)



M 12

Technical parameters

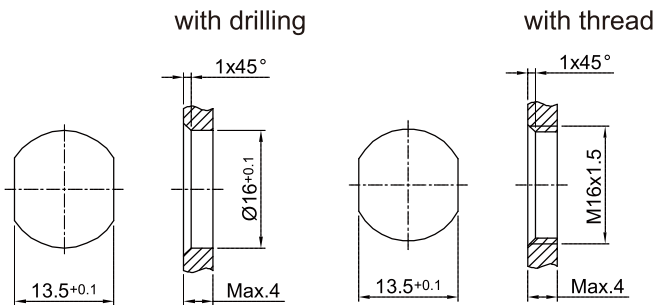
Shell material	Copper/Zinc
Core material	PA66
Overmold material	FKM
Terminal material	Copper plating
Temperature	-20°C~+80°C

Insulation resistance	≥100mΩ
Contact resistance	≤ 5mΩ
Degree of protection	IP67/IP68
Implementation standard	IEC61076-2-109
Agreement	CAT6A Ethernet

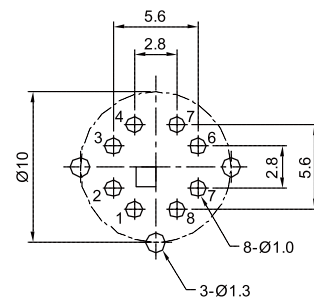
Electric parameter

pin number	code type	rated current	rated voltage		cable size		cable material	dealing at the end cable
	X		A/C	D/C	AWG	mm ²		
8		0.5A	50V	60V	26~24	0.14~0.25	PVC/PUR	connected to M12 X code connected to RJ45 connector connected to others connector no dealing

Hole size



PCB hole position



Order method

<p>Ⓐ Regular type</p> <p>M12-8B1-X-S - <input type="text"/> <input type="text"/></p> <p>Fixed gage others</p>	<p>Ⓑ Customized</p> <p>M12-8B1-X-S - <input type="text"/> <input type="text"/></p> <p>customized item number others</p>
--	--

Noted

X code is for 10 Gigabit ethernet, it meets CAT6 and Ethernet standard