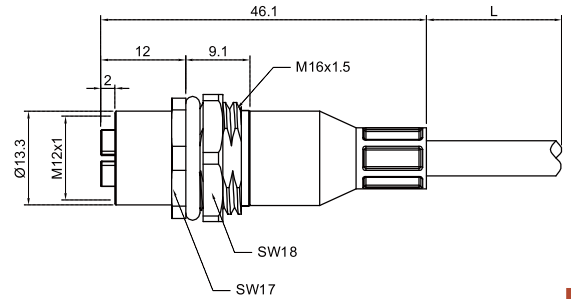


# M12 female front mount socket connector (X code)



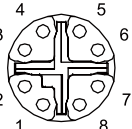
## Technical parameters

Shell material	Copper/Zinc
Core material	PA66
Overmold material	PVC/TPU <sup>®</sup>
Terminal material	Phosphor copper
Temperature	-20°C~+80°C

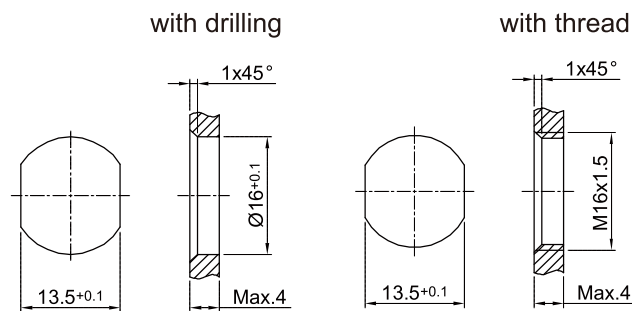
Insulation resistance	≥100mΩ
Contact resistance	≤ 5mΩ
Degree of protection	IP67/IP68
Implementation standard	IEC61076-2-109
Agreement	CAT6A Ethernet

M 1 2

## Electric parameter

pin number	code type	rated current	rated voltage		cable size		cable material	dealing at the end cable
	X		A/C	D/C	AWG	mm <sup>2</sup>		
8		0.5A	50V	60V	26~24	0.14~0.25	PVC/PUR	connected to M12 X code connected to RJ45 connector connected to others connector no dealing

## Hole size



## Order method

<p>Ⓐ Regular type</p> <p>M12-8B-X-S-<input type="text"/> / <input type="text"/> - <input type="text"/> - <input type="text"/></p> <p style="text-align: center;"> <input type="text"/> cable material<sup>®</sup>  <input type="text"/> overmold material    <input type="text"/> cable length         </p>	<p>Ⓑ Customized</p> <p>M12-8B-X-S-<input type="text"/> <input type="text"/></p> <p style="text-align: center;"> <input type="text"/> customized item number    <input type="text"/> others         </p>
---	---

## Noted

X code is for 10 Gigabit ethernet, it meets CAT6 and Ethernet standard