

## GPS & GLONASS Internal Antenna

**Product Number:ATIGG1540-1**

### 1. Product Description

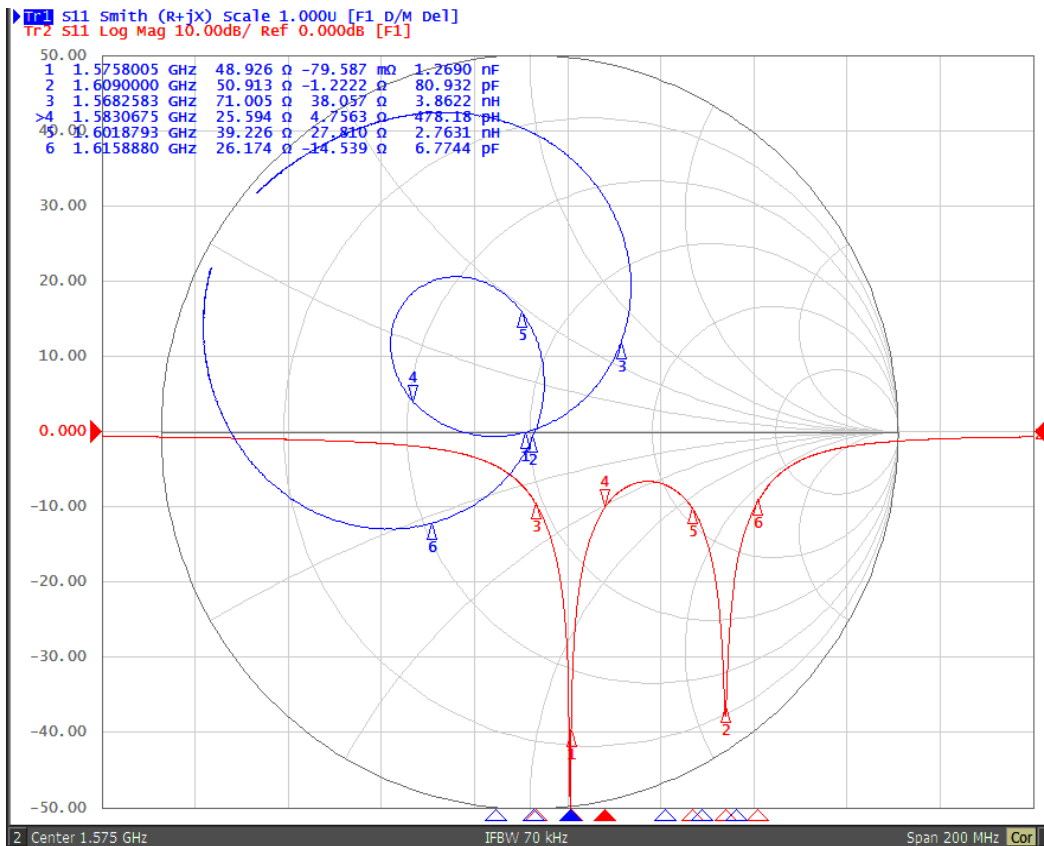
This product can be used as various GPS&GLONASS receivers navigation, GPS&GLONASS clock, positioning.

### 2. OVERALL PERFORMANCE(Antenna Element, LNA & Cable)

CHARACTERISTICS	SPEC
Center Frequency	GPS : 1575.42±1.023MHz GLONASS : 1609.3 MHz±5MHz (When the antenna are placed on the customer's device inside)
Voltage	DC 2.0 ~ 5.5 V
Current	5mA max
Gain	15dB typ
Noise Figure	2.0dB max
Bandwidth(10dB return loss)	5.5MHz min
Output VSWR	2.0 max
Output Impedance	50ohm
Dimensions	15mm(L)×15mm(W)×6.5mm(H) typ
Weight	7±2g(typ)
Cable	60±2mm (Φ=1.13mm)
Connector	IPEX ( Pull=0.4Kg )

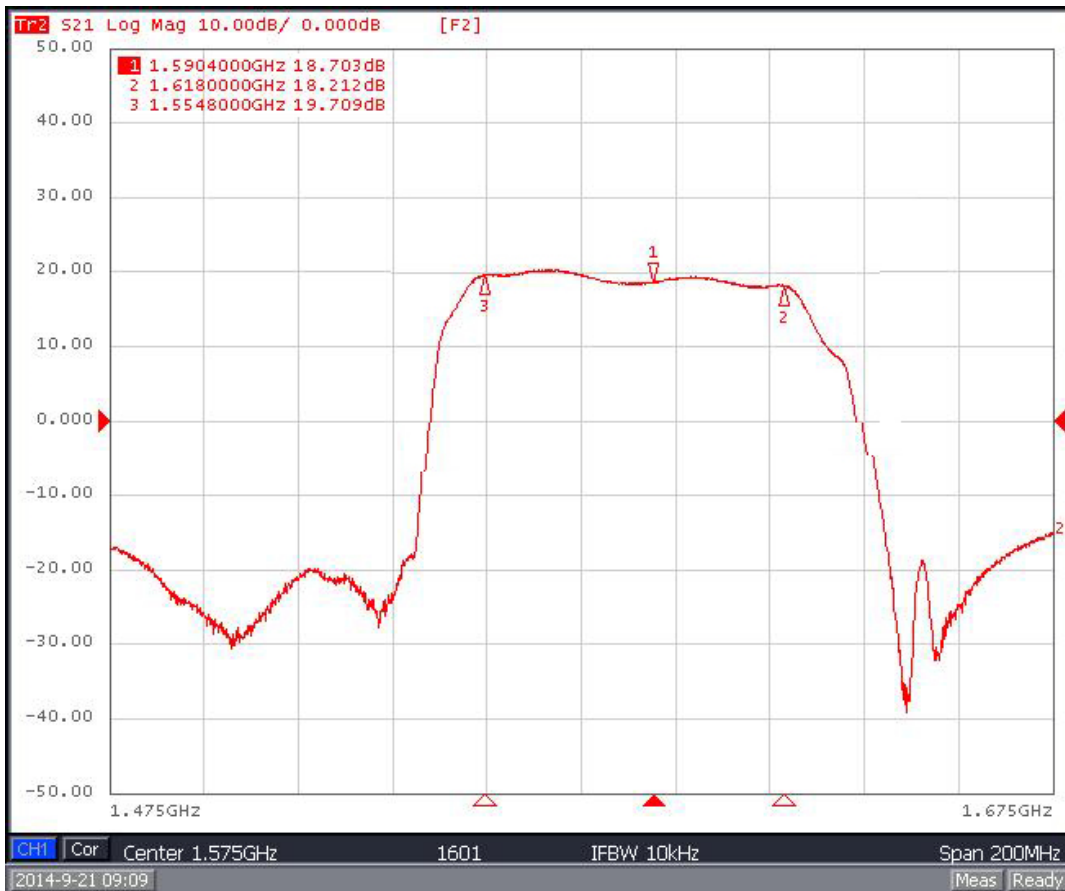
### 3. Patch antenna

CHARACTERISTICS	SPEC
Dimensions	15mm(L)×15mm(W)×4mm(H) typ
Center Frequency	GPS:1575±1MHz GLONASS:1609±1MHz (18mm(L)×18mm(W) Ground)
Bandwidth(10dB return loss)	5.5MHz min
Peak Gain	1dB typ
Output V.S.W.R	2.0dB max
Output Impedance	50ohm
Polarization	R.H.C.P



## 4. LNA/Filter

CHARACTERISTICS	SPEC
Voltage	DC 2.0 ~ 5.5 V
Current	5mA max
Center Frequency	GPS : 1575.42±1.023MHz GLONASS : 1609.3 MHz±5MHz
Gain	15±2dB typ
Noise Figure	1.5dB max
Filter(Out of band attenuation)	SAW filter 30dB min fo±60MHz (fo=1590MHz)
Output V.S.W.R	2.0 max



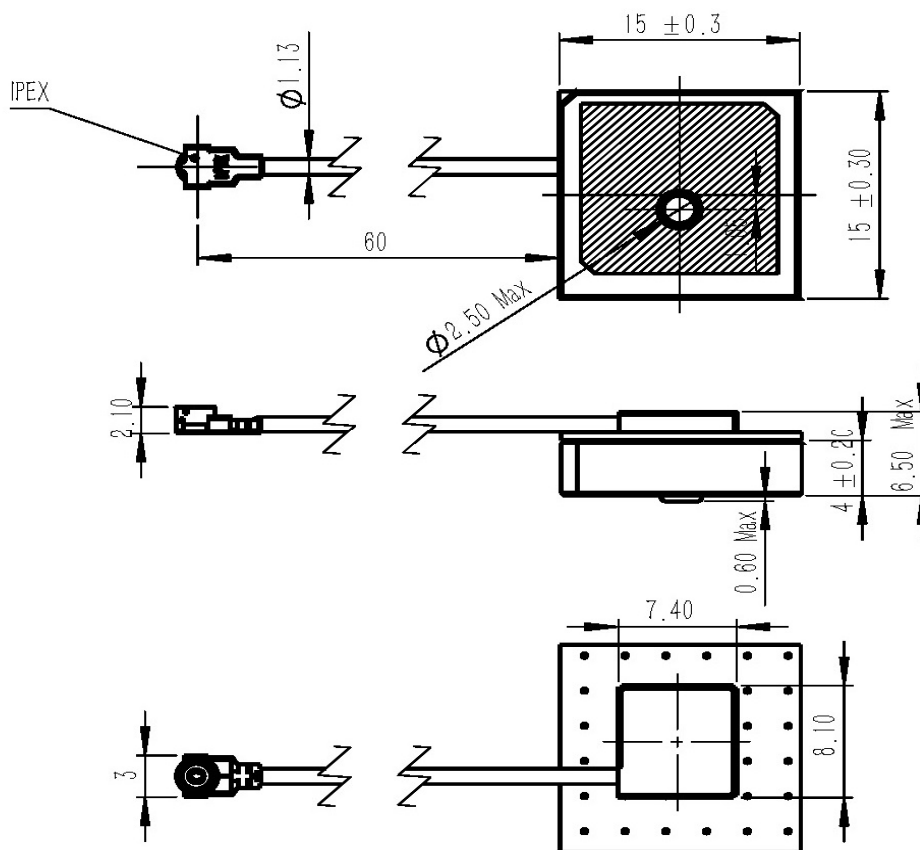
## 5. OPERATING CONDITION

Temperature	-20°C to +65°C
Humidity	10% to 95% RH

## 6. STORAGE CONDITION

Temperature	-20°C to +70°C
Humidity	10% to 95% RH

## 7. ANTENNA DIMENSIONS



Unit : mm

## 8. Note

1、This product specification guarantees the quality of our product as a single unit. Please make sure that your product is evaluated and confirmed against your specifications when our product is mounted to your product.

2、We cannot warrant against failure caused by any use of our product that deviates from the intended use as described in this product specification.

3、The product will get free warranty for three months since the date of purchase users operate in the correct way; users will have to pay cost of the materials and maintaining fee out of the condition.

4、Electrostatic sensitive device. Observe precautions for handling.